



CALIBRE
QUADRO

POWERED BY

WEED·IT 
precision spraying

ENGINEERED FOR PRECISION



MANOEUVRABILITY

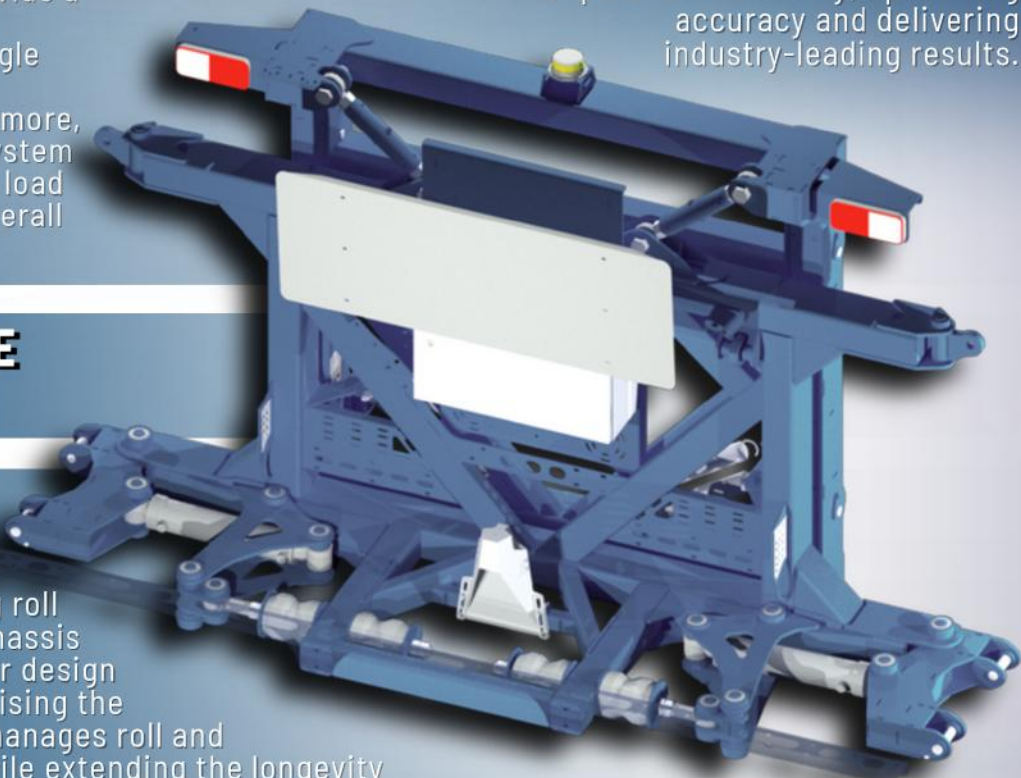
The Calibre Quadro Series is designed for exceptional manoeuvrability. Its larger rolling circumference wheels and single axle significantly reduce draft requirements. The larger wheels provide a substantial advantage in wet and challenging conditions, while the single axle and compact chassis make the machine easy to manoeuvre. Furthermore, our advanced drawbar suspension system ensures a smooth ride and seamless load transfer to the tractor, enhancing overall performance.

PURPOSE BUILT

Optical spot spraying systems require stable booms for precise results. The Calibre Quadro machine is purpose-built with unparalleled stability, optimising accuracy and delivering industry-leading results.

THE ULTIMATE BOOM RIDE STARTS HERE

Experience the exceptional performance of our centre frame assembly, refined through years of development and testing. Featuring roll links connecting the boom to the chassis and advanced damping systems, our design ensures a precise boom ride, optimising the Weed-It system's performance. It manages roll and yaw forces, enhancing accuracy while extending the longevity of the boom for superior results.



STRUCTURED BOOM FOR MAXIMUM CONTROL



STRONGER, SHARPER, SMARTER.

THE ALL-IN-ONE SOLUTION

The Calibre Quadro Series is the ultimate "all-in-one" solution for both spot and blanket spraying, delivering unmatched versatility and reliability. Equipped with advanced 50Hz PWM technology, it ensures superior spray quality and performance across all applications. Effortlessly switching between modes, this machine adds exceptional value to your spraying program. Designed with large-capacity tanks, the Quadro Series significantly boosts efficiency, enabling you to cover more ground with fewer refills. While spot spraying provides substantial chemical savings, blanket spraying enhances performance with pressure-based control, precision turn compensation, and more sections for accurate, consistent coverage. This machine is the ultimate choice for growers seeking a versatile, high-performance solution to elevate their entire operation.

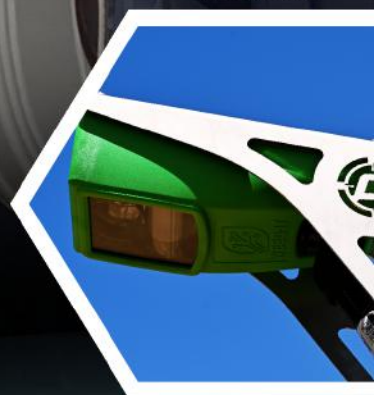
JOYSTICK CONTROL



AUTOMATIC HEIGHT CONTROL



WEED-IT SENSORS



**ALUMINIUM 3D BREAKAWAY
FOLD AWAY SENSORS**



JOIN THE REVOLUTION



PULSE WIDTH MODULATION

Pulse Width Modulation (PWM) technology has brought a new level of precision to agricultural spraying systems. By allowing individual nozzle control and maintaining consistent pressure, PWM ensures every part of the paddock gets the exact chemical dose required, even during turns. Weed-It builds on this by enabling dual-mode spraying with a single nozzle, allowing growers to broadcast spray a paddock or crop while still spot spraying weeds. By adjusting the PWM frequency, it optimises chemical use, reducing over-application, saving on costs, and protecting soil health. Maintaining spray quality regardless of speed changes allows growers to work more efficiently, with less wastage and improved overall coverage. It's a smarter, more sustainable approach to modern spraying that optimises both productivity and crop health.

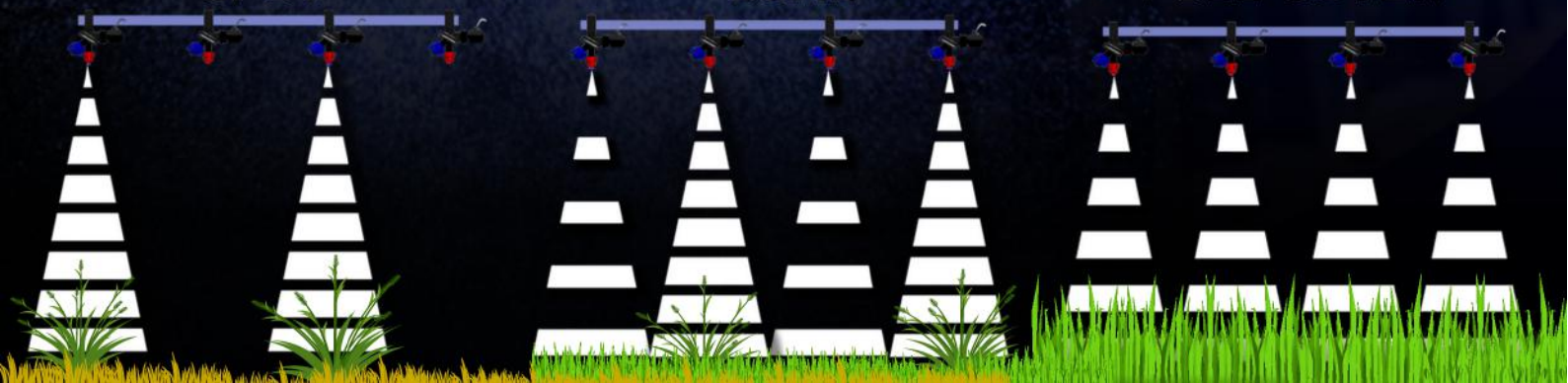


PWM APPLICATION MODES

SPOT

DUAL

FULL COVER

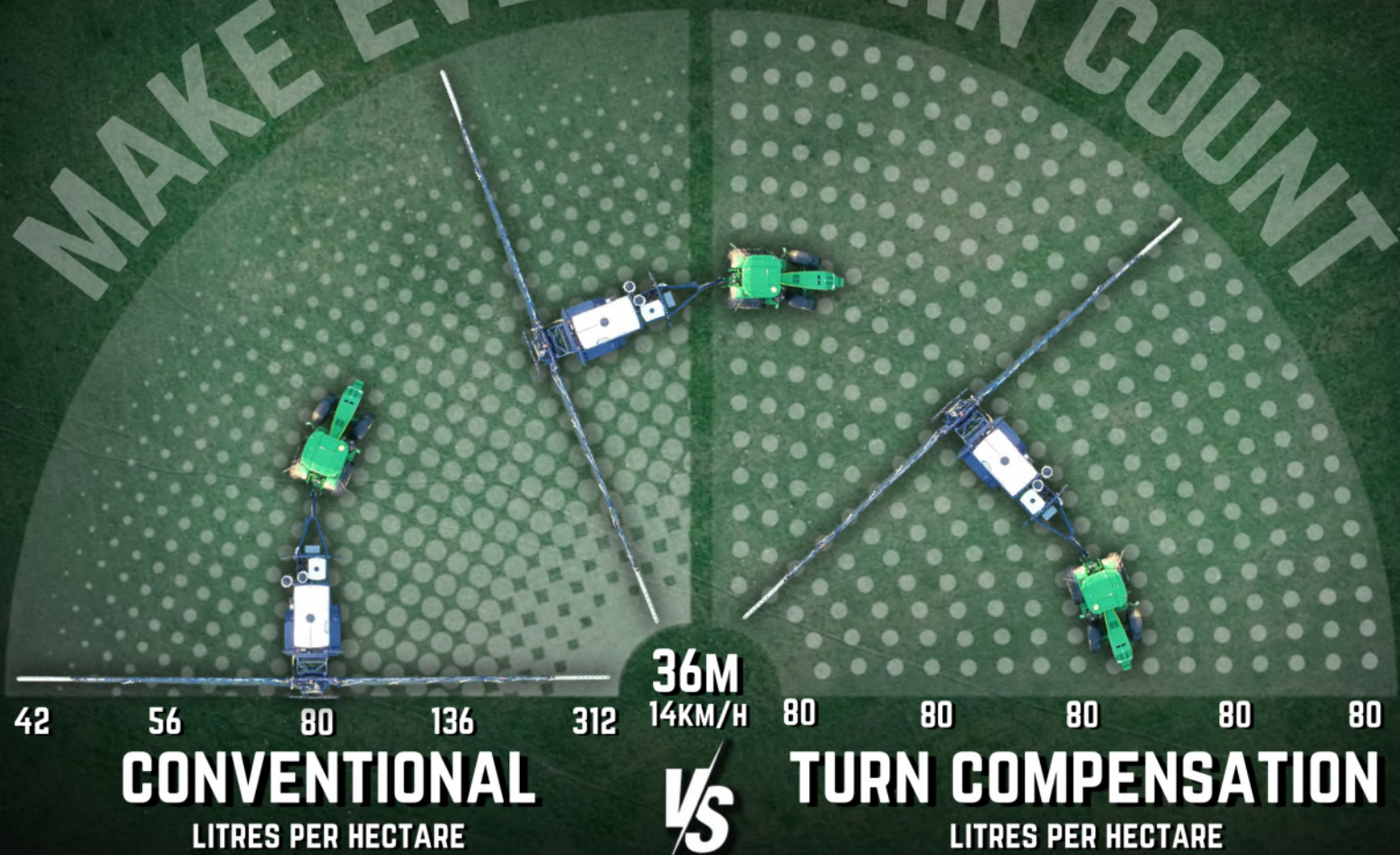


TURN COMPENSATION

SMARTER SPRAYING

PWM turn compensation is critical for achieving accurate application in agricultural spraying. During turns, the speed difference across the boom causes over-application on the inner sections and under-application on the outer edges. PWM technology specifically addresses this challenge by adjusting the flow rate for each nozzle based on its position, ensuring the correct application rate is consistently delivered. This precise control prevents uneven coverage and reduces waste, making it indispensable for managing weed resistance and optimising crop health, particularly on large sprayers where turn compensation is most impactful.

MAKE EVERY TURN COUNT



CONVENTIONAL
LITRES PER HECTARE



TURN COMPENSATION
LITRES PER HECTARE

SENSE THE DIFFERENCE

SAVE UP TO



ON CHEMICAL
EXPENSES

THE POWER OF NEAR-INFRARED

Weed-It's cutting-edge near-infrared sensor technology, refined over 25 years, sets a new benchmark in weed detection. By harnessing chlorophyll fluorescence, Weed-It's sensor achieves unparalleled accuracy in identifying and targeting weeds. Calibrating itself 40,000 times per second, the sensor ensures optimal performance in real-time, adapting to varying conditions with precision. Unlike competitors' visual methods, this technology detects the specific light reflectance patterns of chlorophyll, ensuring precise weed detection even in challenging environments. The sensor excels in varying lighting and soil types, providing reliable performance and exceptional consistency. Experience the industry's leading technology for smart spraying with Weed-It's advanced and dynamic sensor system.



DAY & NIGHT
AUTOMATIC CALIBRATION

TANK SIZES

7,000L

10,000L



BOOM SIZES

30.5m

36.5m

40.5m

42.5m



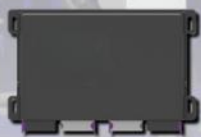
VIRTUAL TERMINAL JOYSTICK

SIMPLE CONNECTION

The Calibre Quadro Series ensures seamless connectivity with its plug-and-play ISOBUS system, integrating effortlessly with your tractor's virtual terminal. Power-beyond hydraulics deliver reliable, efficient performance, making tractor and implement changes quick and easy for maximum operational simplicity.



CONTROL UNIT



HEIGHT CONTROL



www.calibrespraying.com.au



0408 012 354



sales@calibrespraying.com.au